



# KUBOTA CRAWLER DUMPER

# KC110H





## Compact Design

Working in space-restricted environments is easy with the compact KC110H. The narrow, 1025 mm machine width lets it fit into small workspaces, while the compact-but-powerful dumping carrier can rotate tightly with minimal overhang.



## HST

The KC110H crawler dumper features a variable-speed Hydrostatic Transmission (HST) system. This advanced non-clutch transmission allows the operator to smoothly and easily make forward/reverse directional changes and fine speed adjustments.



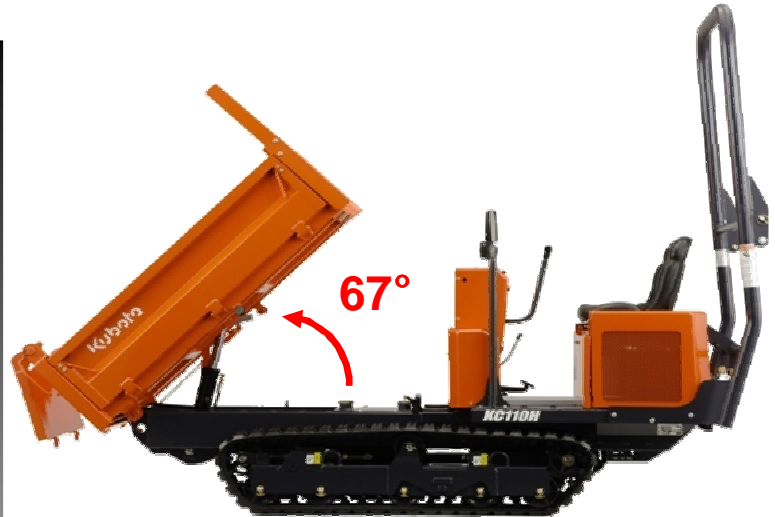
## Foldable ROPS

For extra protection, a foldable rollover protective structure is standard-equipped on the KC110H. Folding the ROPS down lets you easily transport the crawler dumper on lorries, and travel under doorways to work indoors.



## Superior Dumping Performance –One way dump–

The KC110H features a spacious, box-shaped carrier, which is ideal for transporting construction materials, such as concrete blocks. In addition, the rear gate opens widely to let its loads slide off quickly and easily.



## Advanced Track Mechanism

The rugged KC110H crawler dumper boasts numerous features for stable and smooth performance. The double-flanged track rollers improve lateral stability, and the advanced design of the swing-type track rollers in the middle give the track mechanism the flexibility to move on uneven terrain by rolling with the tread, which is made of durable rubber.

## Full-open Bonnet

For fast and easy maintenance, the full-open bonnet gives clear access and an view of many vital internal mechanisms, such as the engine, radiator, and the oil and air filters.



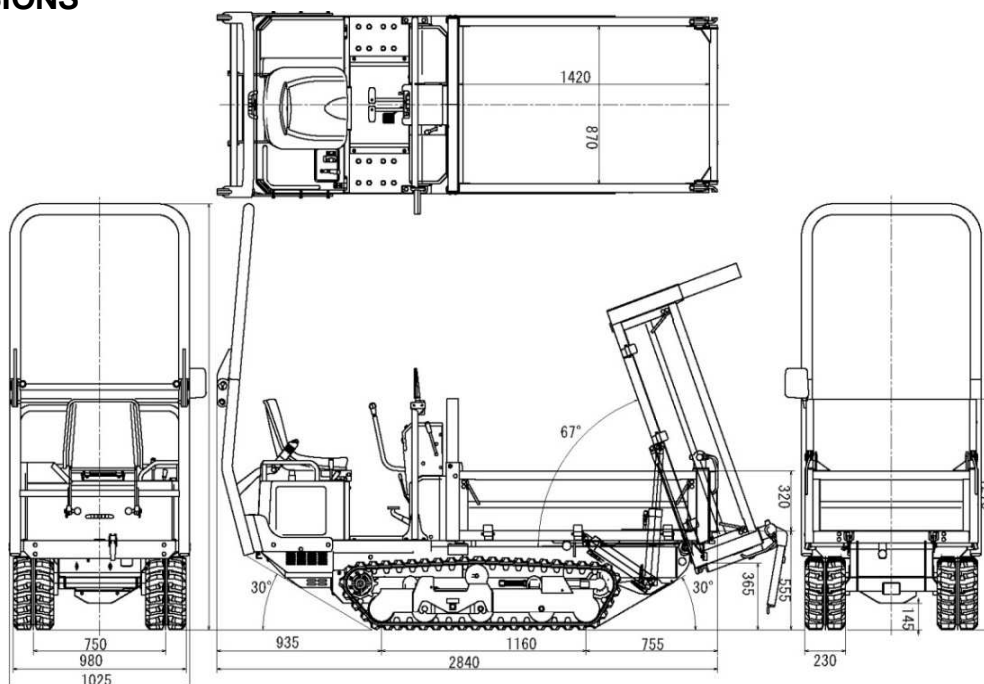
## Controls

Operate the KC110H with ease. Its user friendly design places all of the control levers and switches within easy reach of the operator at all times.

## SPECIFICATIONS

Model		KC110H	
Carrier type		One-way dump	
Machine weight	kg	935	
Max. loading capacity	kg	1000	
Transmission		H S T	
Travelling speed	Forward	km/h	0 ~ 5.4
	Reward	km/h	0 ~ 5.4
Engine	Model	Kubota D722	
	Type	Water cooled, diesel engine E-TVCS	
	Number of cyliners	3	
	Output ISO9249	kW	11 (15 y/3000)
Dimensions	Overall length	mm	2840
	Overall width	mm	1025
	Overall height	mm	2345
Bed inner size	Length	mm	1420
	Width	mm	870
	Height	mm	320
	Capacity ISO (Struck/Heaped)	L	400/530
Undercarriage	Ground clearance	mm	145
	Tumbler distance	mm	1160
	Track center-to-center distance	mm	750
	Rubber shoe width	mm	230
Max. dumping clearance	degree	365	
Max. dumping angle	degree	67	
Fuel tank capacity	L	15	

## DIMENSIONS



### KUBOTA EUROPE S.A.S

19 à 25, Rue Jules Vercurysse  
BP 50088 - Z.I  
95101 ARGENTEUIL CEDEX  
Tél. : +33 (0)1 34 26 34 34  
Fax : +33 (0)1 34 26 34 99

### Kubota Baumaschinen GmbH

Steinhausenstr. 100  
66482 Zweibrücken  
Deutschland  
Telefon: +49 (0)6332 487-0  
Telefax: +49 (0)6332 487-101